

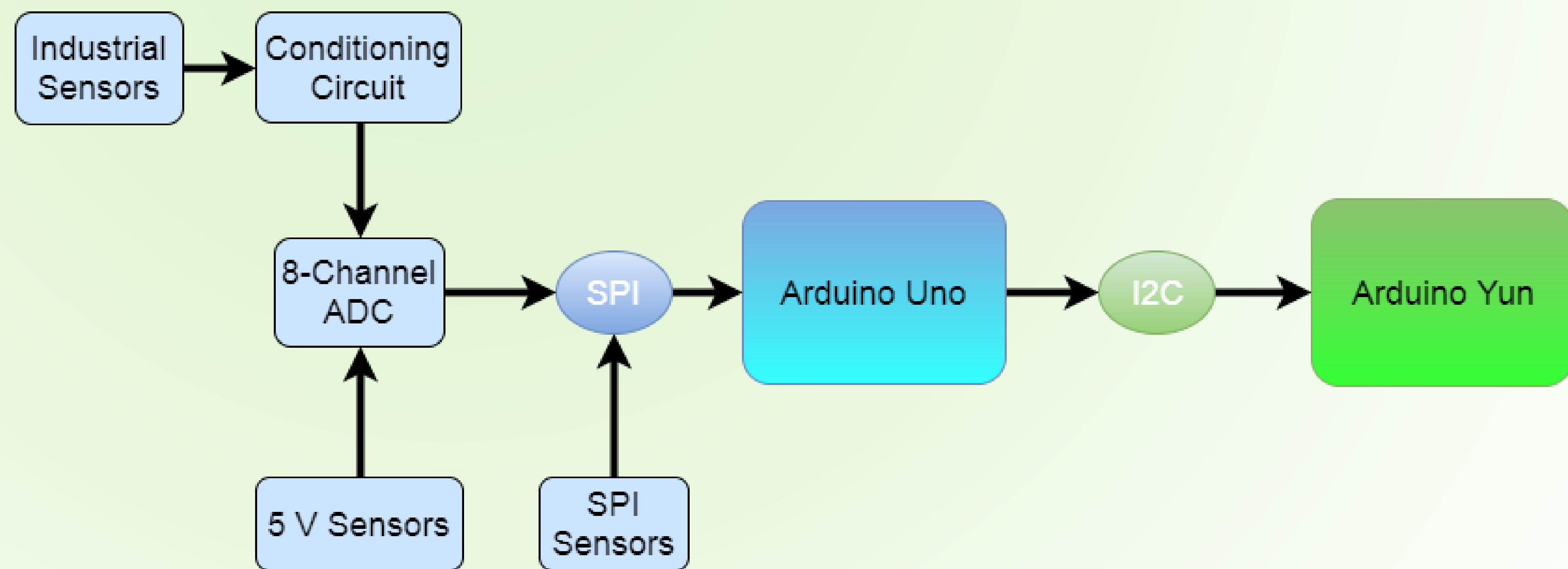
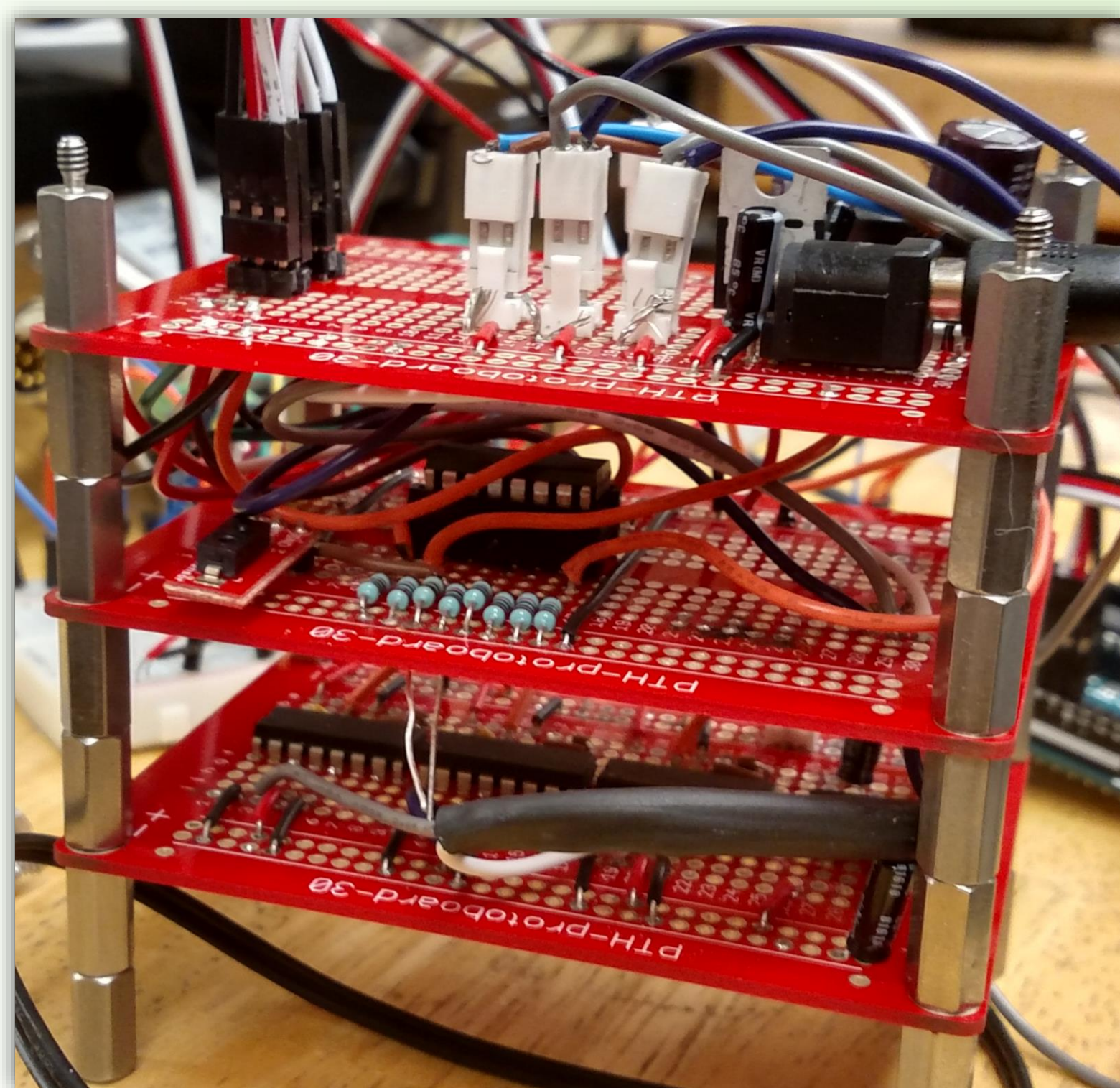
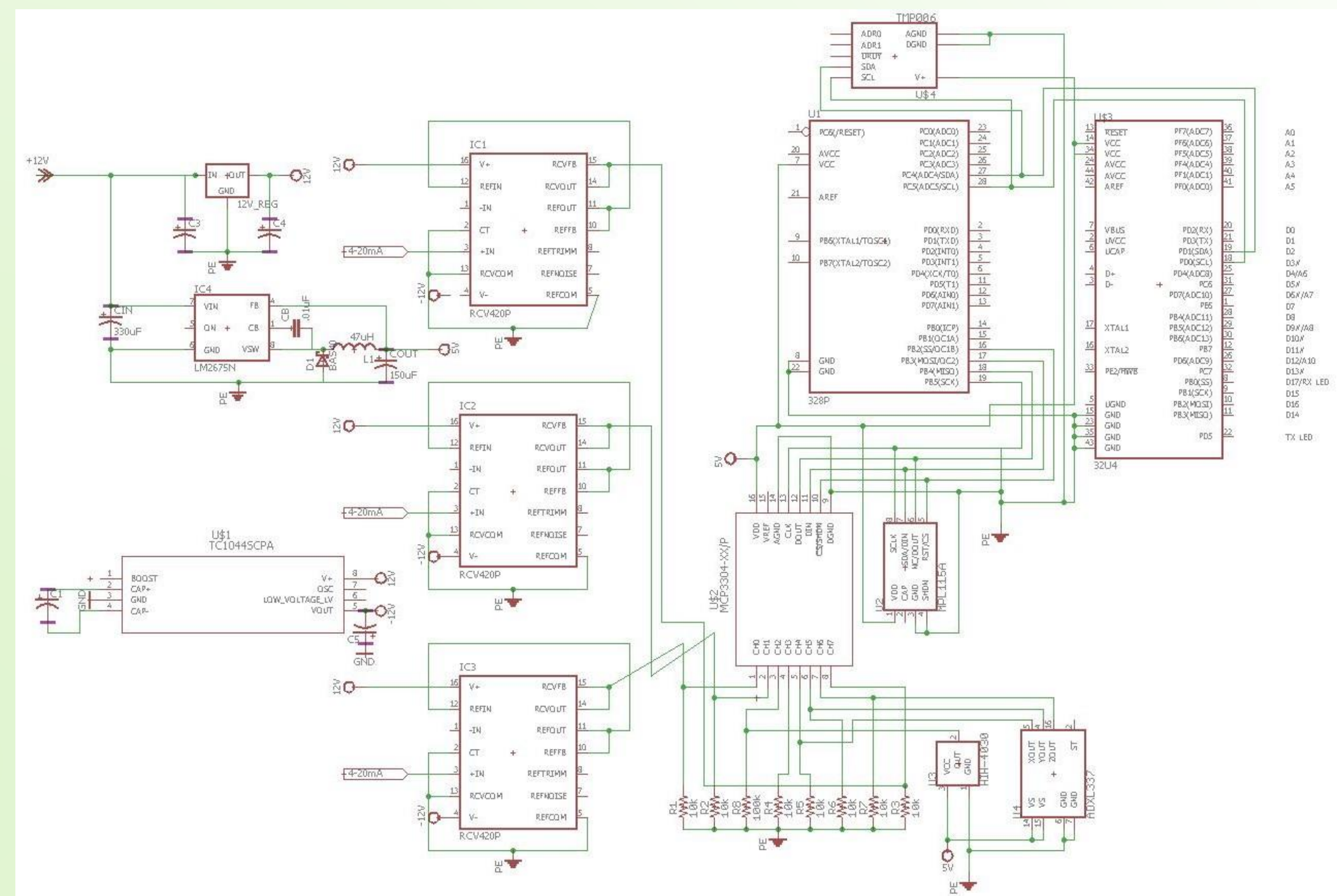
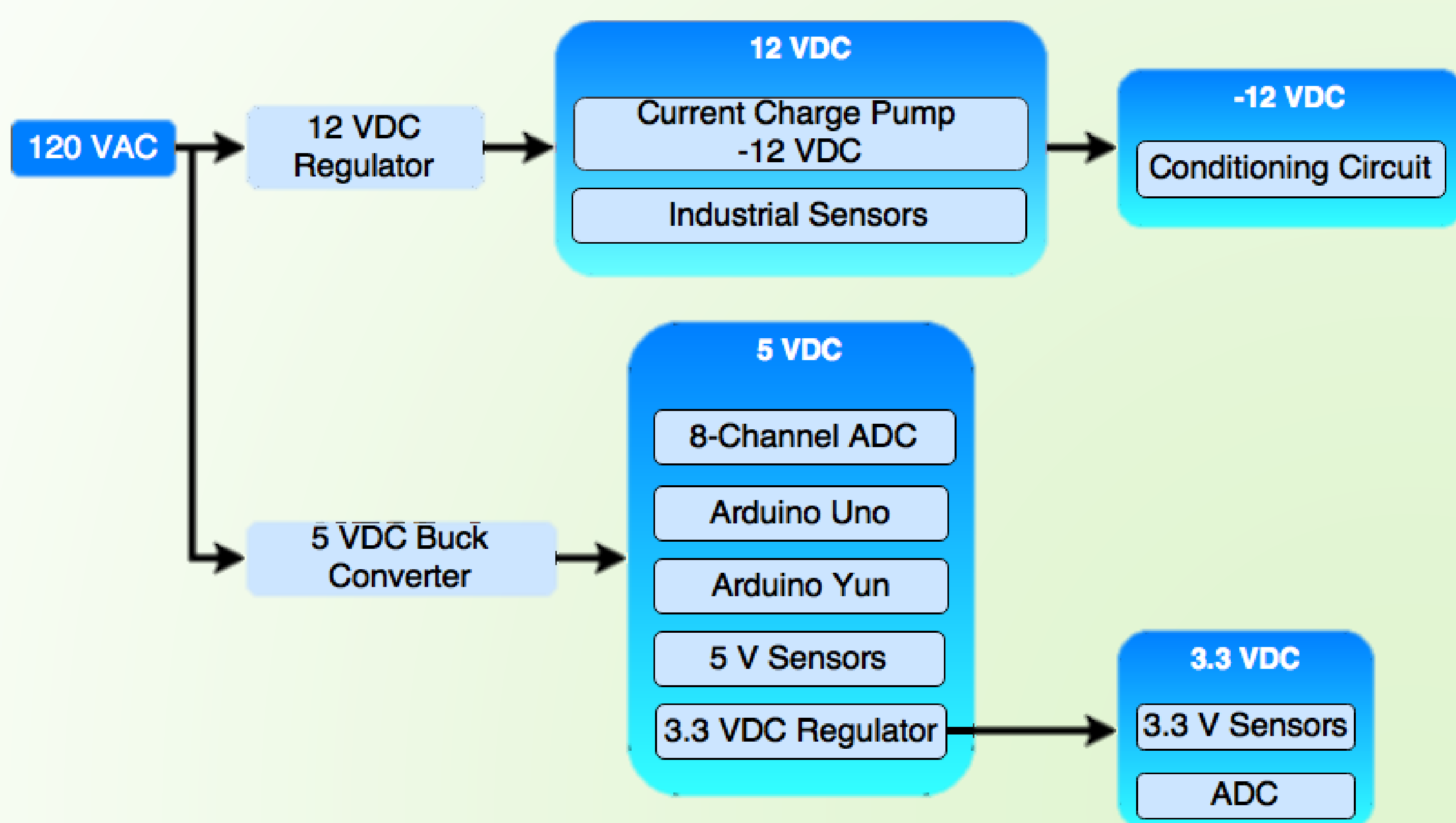
# Internet of Things Sensor Test Bench

Anthony White, Emily Recker, Mike Iannicca, Lucas Himmelman

Instructor: Dr. Pong Chu

Project Sponsor: Parker Hannifin; Company Supervisor: Dr. Joe Kovach

Department of Electrical Engineering and Computer Science, Washkewicz College of Engineering  
Cleveland State University



- Microcontroller-based sensor platform
- SPI and I<sup>2</sup>C communication
- Application-specific power circuitry

- Fluid temperature, fluid pressure, humidity, ambient temperature, barometric pressure, current sensors