

Adaptive All Terrain Motorized Mountain Bike

James Casciano, Steve Wilson, Avery Kaufmann, Herbi Rira, Deanna Mustafa, Allaa Alhasan, Jordan Kuzma; Instructor: Michael T. Gallagher

Project Sponsors: Ray's Mountain Bike Park, Cumberland Steel

Sponsors Contacts: Ray Petro, Zac Goldner

*Department of Mechanical Engineering, Washkewicz College of Engineering
Cleveland State University*

Design & build a working prototype of an adaptive all terrain mountain bike for paraplegic riders. Design should innovate on prior solutions & be more affordable.

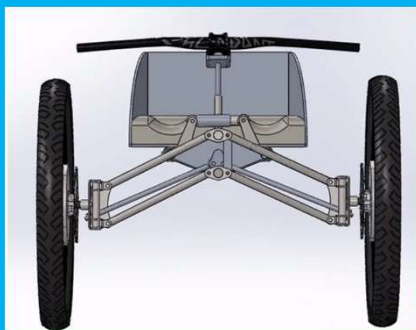
Electronic Hub Motors



Maintain Mountain Bike Mechanics

The goal of incorporating the original mountain biking mechanics within the design largely influencing the design of this bike.

Shocks in suspension



Leaning Steer Mechanism

